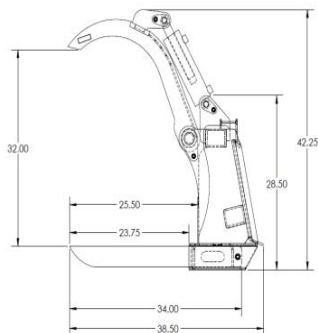


## Extreme Grapple

- 45" 2 Tine Model #33103
- 45" 4 Tine Model #33077
- 58" 9 Tine Model #33076
- 72" 11 Tine Model #33071



- Excellent for digging out & moving stumps & rocks
- Tines can be flipped for brush & manure work
- Hoses & Couplers included

Specifications	
Overall Width	45", 45", 58¼", 71½"
Overall Height -Closed	28-3/4"
Overall Height - Open	42-1/2"
Overall Depth	39"
Grapple Opening	34"
Depth Of Bucket	26"
Tines	1-1/4" T-1 Steel – Replaceable
Bucket Thickness	3/4" & 1/2" Grade 50 Frame Work Laser Cut
Bottom Plate	1/2" Grade 50
Grapple Arms	1" Grade 50 - Laser Cut
Cylinders	3" Bore
Hydraulic Couplers	Flat Face
Hydraulic Hoses	1/2"
PSI Max	3,000 PSI
Pivot Points	Grease Zerks
Main Pin	2" x 20"
Rear Cylinder Pin	1" x 6"
Front Cylinder Pin	1" x 5.5"
Weight	45" = 685 lbs, 45" 4 Tine = 798 lbs, 58" = 1389 lbs, 72" = 1525 lbs

# LEGEND ATTACHMENTS

Our Quality Is “LEGEND”ARY

## SKID STEER EXTREME DEMO GRAPPLES

Model #	Description	WT.	List
LA 33103	45” 2-Tine Extreme Demo Grapple USSM	685	\$3842.00
LA 33077	48” 4-Tine Extreme Demo Grapple USSM	798	\$4369.00
LA 33076	58” 9-Tine Extreme Demo Grapple USSM	1389	\$7431.00
LA 33071	72” 11-Tine Extreme Demo Grapple USSM	1525	\$8158.00



4/2022

Prices and Specifications may be subject to change without notice. Prices do not include shipping or setup.